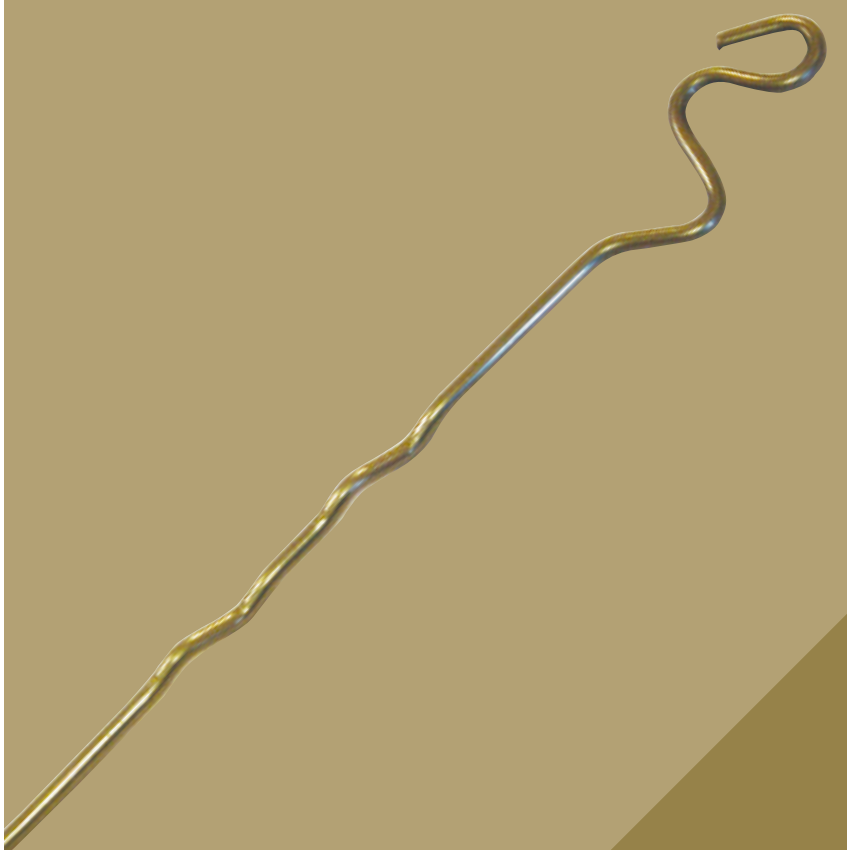


SECTION 07 BUILDING PRODUCTS

RESTRAINT STRAPS	92
STRUCTURAL FIXINGS	92
JOIST HANGERS	93
WALL TIES	95

We offer a selection of building products from the leading manufacturers, ensuring that your projects meet the stringent building regulations with proven quality and superior design. Call us if you can't find what you are looking for.



RESTRAINT STRAPS

Restraint straps – Standard (ST)

A galvanised 27.5 x 2.5mm strap for vertical restraint applications. Provided with 6mm holes at 12mm offset centres.

SIZE (MM)

100 / 200 / 300 / 400 / 500 / 600 / 700 / 800 / 900 / 1000 / 1100 / 1200 / 1300 / 1400

1500 / 1600 / 1700 / 1800 / 1900 / 2000 / 2100 / 2200 / 2300 / 2400 / 2500 / 2600

2700 / 2800 / 2900 / 3000 / 4000

Restraint Straps – Heavy Duty (HD)

A galvanised 27.5 x 5mm strap for horizontal restraint applications. Provided with 6mm holes at 12mm offset centres.

SIZE (MM)

100 / 200 / 300 / 400 / 500 / 600 / 700 / 800 / 900 / 1000 / 1100 / 1200 / 1300 / 1400

1500 / 1600 / 1700 / 1800 / 1900 / 2000 / 2100 / 2200 / 2300 / 2400 / 2500 / 2600

2700 / 2800 / 2900 / 3000 / 4000

Restraint Straps – Stainless Steel

Type 304S15. Available in standard and M305 heavy duty formats. Available on request. Allow 10 working days.

TYPE	SHORTEST LENGTH (MM)	LONGEST LENGTH (MM)
Standard	100	3000
M305 Heavy Duty	100	3000

Note: For straps with more than one operation we require a detailed drawing faxed through with the order.

How to order:

When ordering quote the overall length and distance of bend/twist from END of strap. eg. overall length, bent at 100mm, bent at 250mm, twisted at 400mm. eg. HD1000B100, ST1000T400.

TYPE	CODE	BEND/TWISTS
Standard	ST	B i.e. ST0600B100
	ST	T i.e. ST1600T150
Heavy Duty	HD	B i.e. HD0900B450
	HD	T i.e. HD3000T200

STRUCTURAL FIXINGS

Herringbone Joist Struts

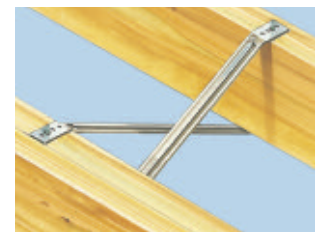
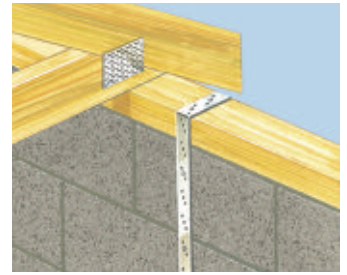
Provide stability to floor joists. Herringbone joist struts significantly reduce labour content in fixing strutting on site.

CODE	TO SUIT JOIST CENTRES (MM)	LENGTHS (MM)	BOX QTY
HJS400	400	460	50
HJS450	450	523	50
HJS600	600	660	50

Splice Plates

Suitable for butt jointing timbers of similar cross section.

CODE	SIZE (MM) L X H X RETURN	JOIST DEPTH (MM)	1 SET PER APPLICATION	BOX QTY
L61	400 x 61 x 18	150	Set = 4	8 sets
L80	560 x 80 x 18	200	Set = 4	8 sets
L98	560 x 98 x 18	250	Set = 4	8 sets



Truss Clips

Eliminates the disadvantages of skew nailing trussed rafters to timber wall plates; damaged connector plates; split rafters or wall plates.

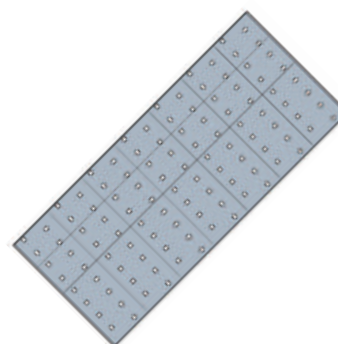
CODE	TYPE	SIZE MM	BOX QTY
TC38	Standard 38	38	100
TC50	Non-standard 50	50	100



BAT-U-Nail Galvanised Steel Plates

BAT-U-Nail is a plate system which enables timber structures to be made on site or in the builder's workshop, since it is nailed by hand.

CODE	SIZE MM	BOX QTY
BP 7651	76 x 51	200
BP 76100	76 x 100	200
BP 76152	76 x 152	100
BP 76203	76 x 203	100
BP 76254	76 x 254	75
BP 76305	76 x 305	75
BP 11451	114 x 51	200
BP 114100	114 x 100	100
BP 114152	114 x 152	100
BP 114203	114 x 203	50
BP 114254	114 x 254	50
BP 114305	114 x 305	50
BP 114354	114 x 354	25 bundle
BP 15251	152 x 51	150
BP 152100	152 x 100	100
BP 152152	152 x 152	75
BP 152203	152 x 203	50
BP 152254	152 x 254	50
BP 152305	152 x 305	50
BP 152354	152 x 354	25 bundle

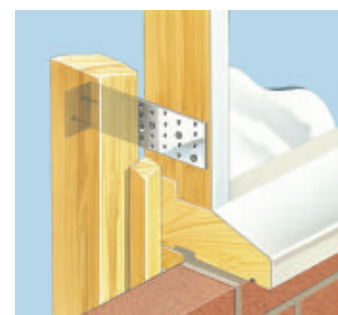


Frame Cramps

To provide positive location and support of window from timber framing to resist wind and incidental loadings.

CODE	TYPE	SIZE MM	BOX QTY
SEFC150*	Safe Edge	100 x 50	125
SEFC200*	Safe Edge	150 x 50	125
SEFC250*	Safe Edge	200 x 50	125
FC1	Frame Cramp	202 x 76 straight	100
FC2	Frame Cramp	212 x 40 x 76	100

*To fix door and window frames to masonry inner leaf.

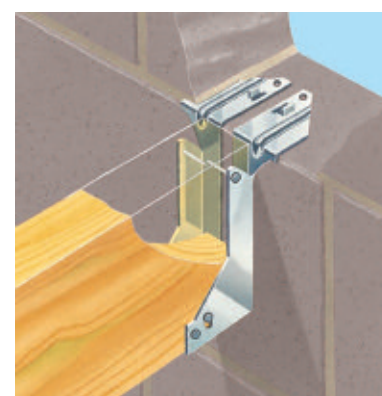


JOIST HANGERS

SPH Joist Hanger – Standard Type 'S'

A single piece timber to masonry hanger. For building into brick or block walls to support floor joists.

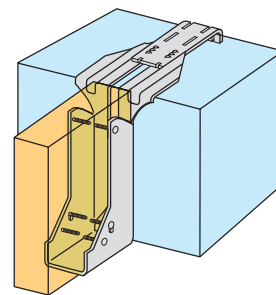
TIMBER DEPTH (MM)	HANGER DEPTH (MM)	BOX QTY / JOIST WIDTH								
		38MM	44MM	50MM	63MM	75MM	89MM	100MM	125MM	150MM
100	100	50	40	40	40	40	30	30	25	20
125	125	45	40	40	40	40	30	20	15	15
150	140	40	40	40	25	25	25	20	15	15
175	165	30	30	30	30	20	20	20	15	10
200	190	25	25	25	25	20	20	15	15	10
225	215	25	25	25	25	20	20	15	10	10
250	240	25	25	25	20	15	15	15	10	10
275	265	25	20	20	20	15	-	15	10	5



Joist Hanger – Return Type ‘R’

A single piece timber to masonry hanger. For building into brick or block walls to support floor joists. ‘R’ type is a standard type ‘S’ with return plate added, fixed by riveting.

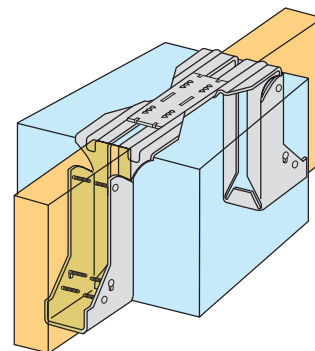
TIMBER DEPTH (MM)	HANGER DEPTH (MM)	JOIST WIDTHS (MM)
100	100	38, 44, 50, 63, 75, 89, 100, 125, 150
125	125	38, 44, 50, 63, 75, 89, 100, 125, 150
150	140	38, 44, 50, 63, 75, 89, 100, 125, 150
175	165	38, 44, 50, 63, 75, 89, 100, 125, 150
200	190	38, 44, 50, 63, 75, 89, 100, 125, 150
225	215	38, 44, 50, 63, 75, 89, 100, 125, 150
250	240	38, 44, 50, 63, 75, 89, 100, 125, 150
275	265	38, 44, 50, 63, 75, 89, 100, 125, 150



Joist Hanger – Straddle Type ‘ST’

For building into brick or block walls to support floor joists. ‘ST’ Type is two standard Type ‘S’ with jointing plate added.

TIMBER DEPTH (MM)	HANGER DEPTH (MM)	JOIST WIDTHS (MM)
100	100	38, 44, 50, 63, 75, 89, 100, 125, 150
125	125	38, 44, 50, 63, 75, 89, 100, 125, 150
150	140	38, 44, 50, 63, 75, 89, 100, 125, 150
175	165	38, 44, 50, 63, 75, 89, 100, 125, 150
200	190	38, 44, 50, 63, 75, 89, 100, 125, 150
225	215	38, 44, 50, 63, 75, 89, 100, 125, 150
250	240	38, 44, 50, 63, 75, 89, 100, 125, 150
275	265	38, 44, 50, 63, 75, 89, 100, 125, 150



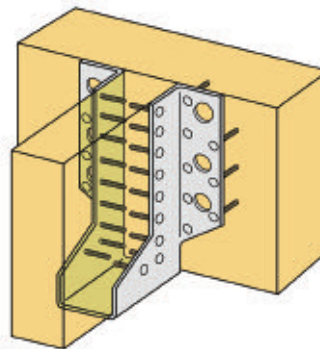
MAXI JOIST HANGERS

Maxi Hangers

Maxi Hangers are heavy duty hangers for the support of timber to timber or timber to masonry, concrete etc. with provision for nailing or bolting.

CODE	JOIST WIDTH MM	BOX QTY
MS240	38 to 100	30
MS335	38 to 100	30
MS380	38 to 100	30
MS440	38 to 150	30
MS500	38 to 150	30
MS560*	38 to 150	30
MS620	38 to 150	20

*MS560150 supplied in boxes of 20.

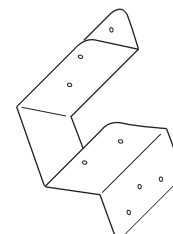


SPEEDY JOIST HANGERS

Speedy Minor

Light duty applications, 100mm maximum joist depth to be supported.

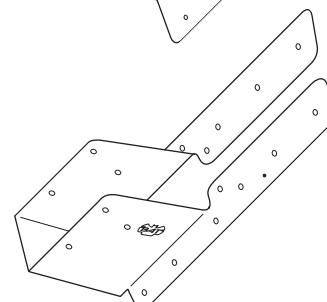
CODE	MAX. JOIST DEPTH (MM)	BOX QTY / JOIST WIDTH (MM)		
		38	44	50
SM	100	125	125	125



Short Leg Speedy

Medium duty applications, 175mm maximum joist depth to be supported.

CODE	MAX. JOIST DEPTH (MM)	BOX QTY / JOIST WIDTH (MM)		
		38	44	50
SL	175	75	75	75



Standard Leg

Medium duty applications, 225mm maximum joist depth to be supported.

CODE	MAX. JOIST DEPTH (MM)	JOIST WIDTH (MM)	BOX QTY
ST	225	38	60
ST	225	44	60
ST	225	50	60
ST	225	63	60
ST	225	75	60
ST	225	100	60

Long Leg

Heavy duty applications, 225mm maximum joist depth to be supported. Suitable for underslung joists (maximum 100mm drop).

CODE	MAX. JOIST DEPTH (MM)	JOIST WIDTH (MM)	BOX QTY
LLS	225	38	20
LLS	225	44	-
LLS	225	50	20
LLS	225	63	10
LLS	225	75	10
LLS	225	100	10

Speedy Girder Truss Shoe

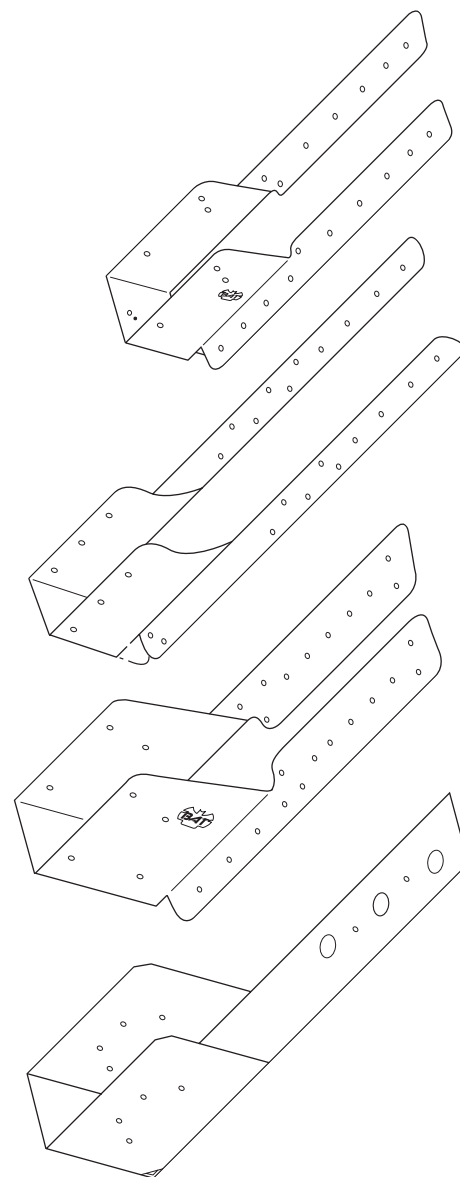
Designed to offer a safe and economical method of connecting trusses to girder units. It incorporates a specially extended bearing surface of 85mm.

CODE	MAX. JOIST DEPTH (MM)	JOIST WIDTH (MM)	BOX QTY
SGTS	175	38	32
SGTS	175	44	32
SGTS	175	50	32
SGTS	175	63	-
SGTS	175	75	24

Speedy Girder/Girder Truss Shoe

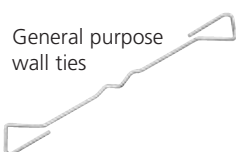
For connection of girder trusses. Sold as single items.

CODE	MAX. JOIST DEPTH (MM)	JOIST WIDTHS (MM)
GGTS	175	80, 105, 120, 155

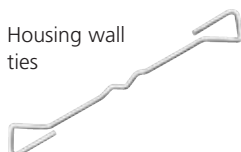


CAVITY WALL TIES

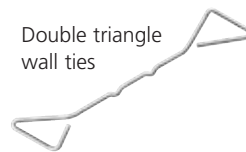
Cavity wall ties are manufactured to comply with BS EN 845. We can supply the following types in single or multiple type packs:



General purpose wall ties



Housing wall ties



Double triangle wall ties

Also available:

- Heavy duty wall ties
- Thin joint masonry ties
- Timber frame ties

MOVEMENT TIES

Movement joints are necessary in masonry wall panels to cater for the natural movement of buildings. Tensile and compressive forces can develop that lead to cracking and bowing of walls.

We can supply the following types in single or multiple type packs:

- Straight movement tie with debonding sleeve
- Bent movement tie with debonding sleeve

